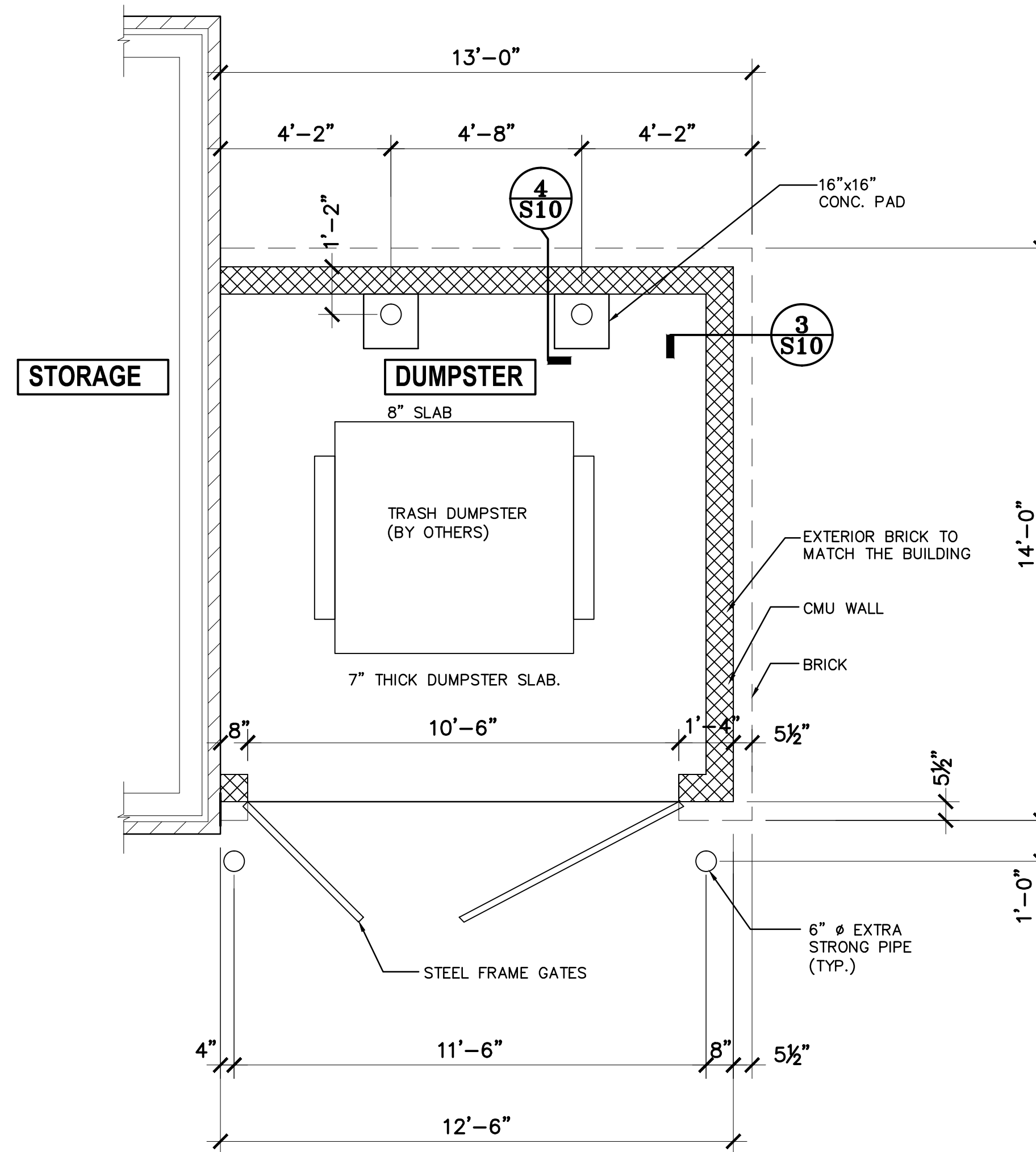
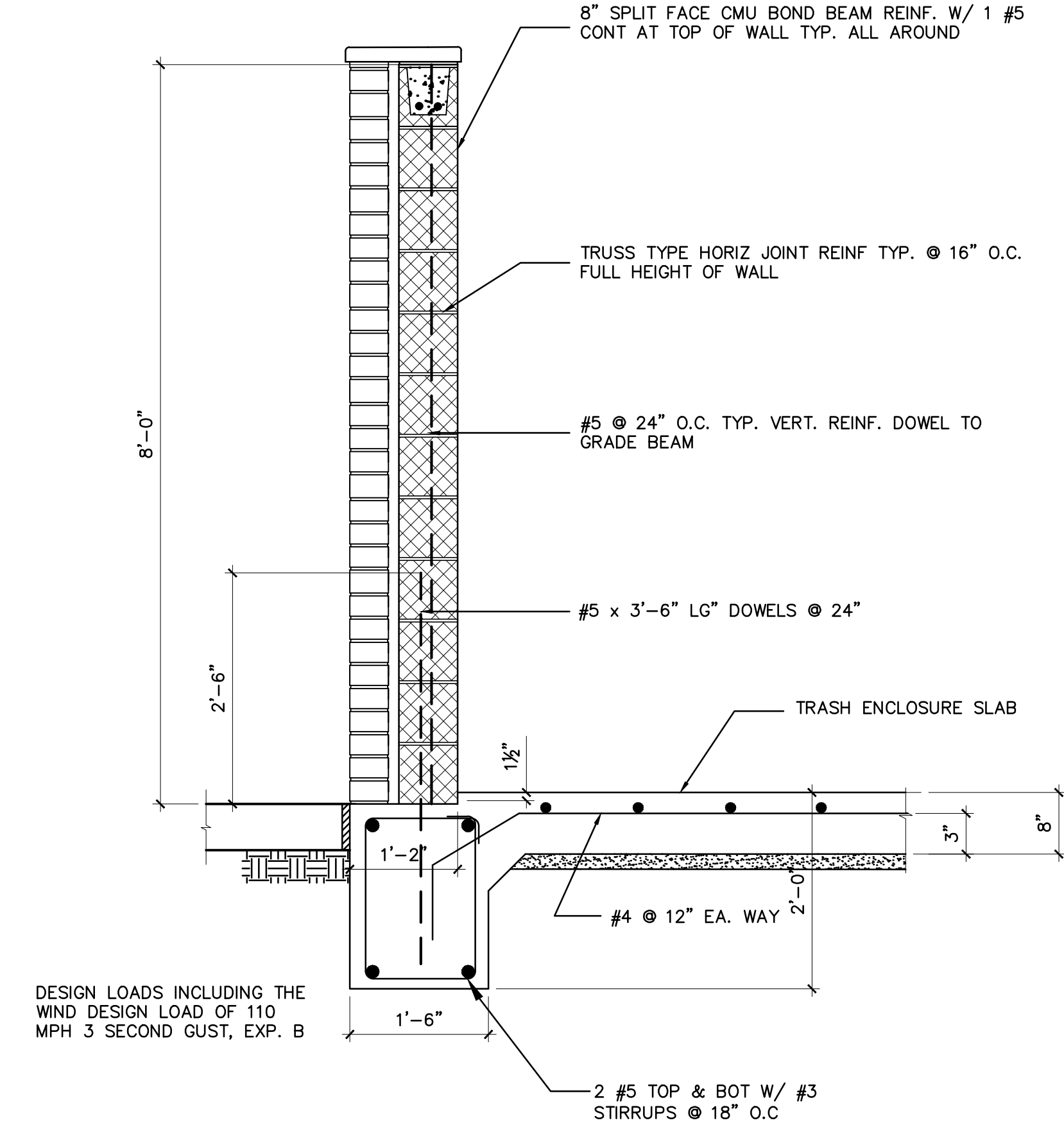


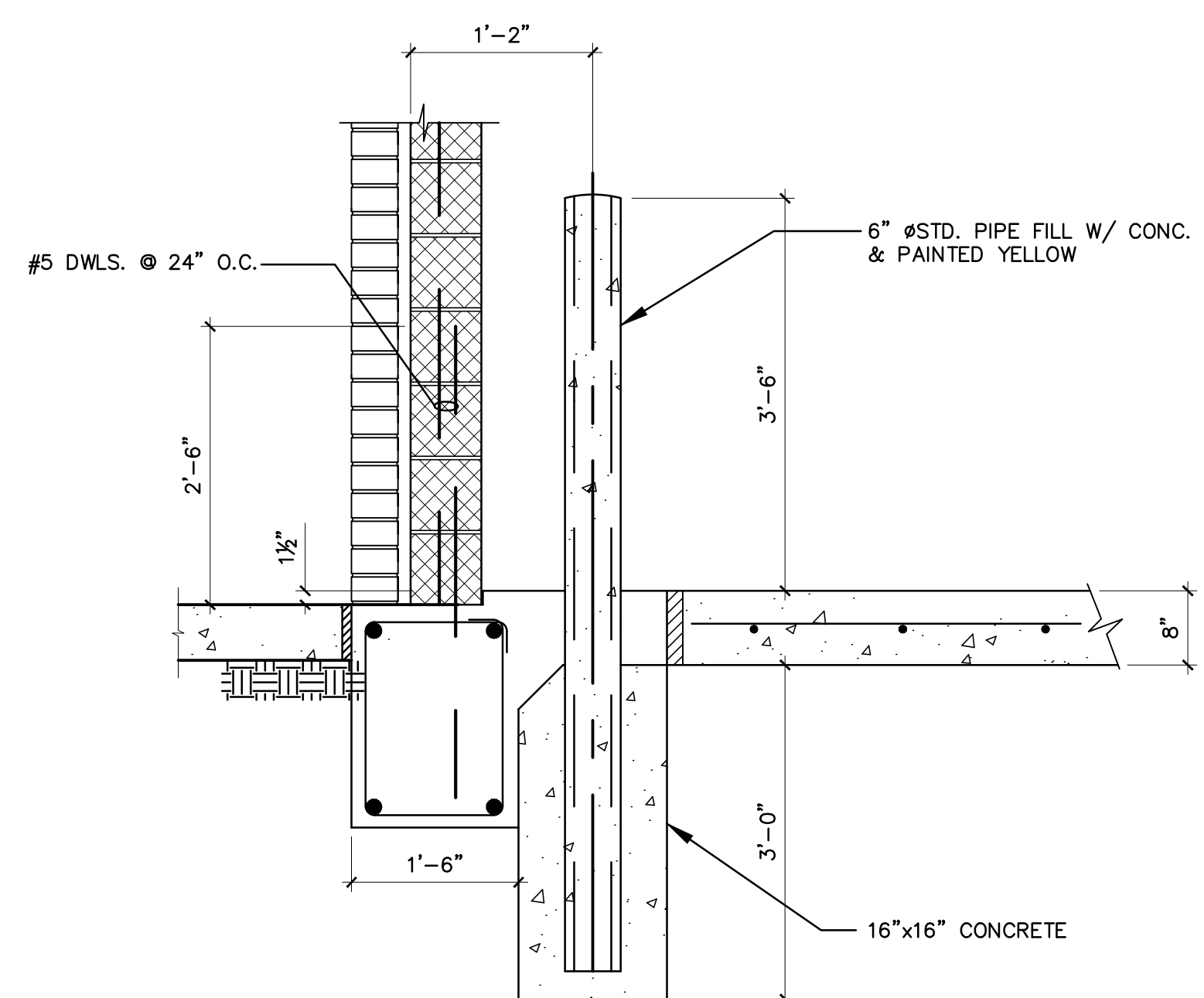
1 TRASH ENCLOSURE GATE ELEV.
SCALE: 3/8" = 1'-0"



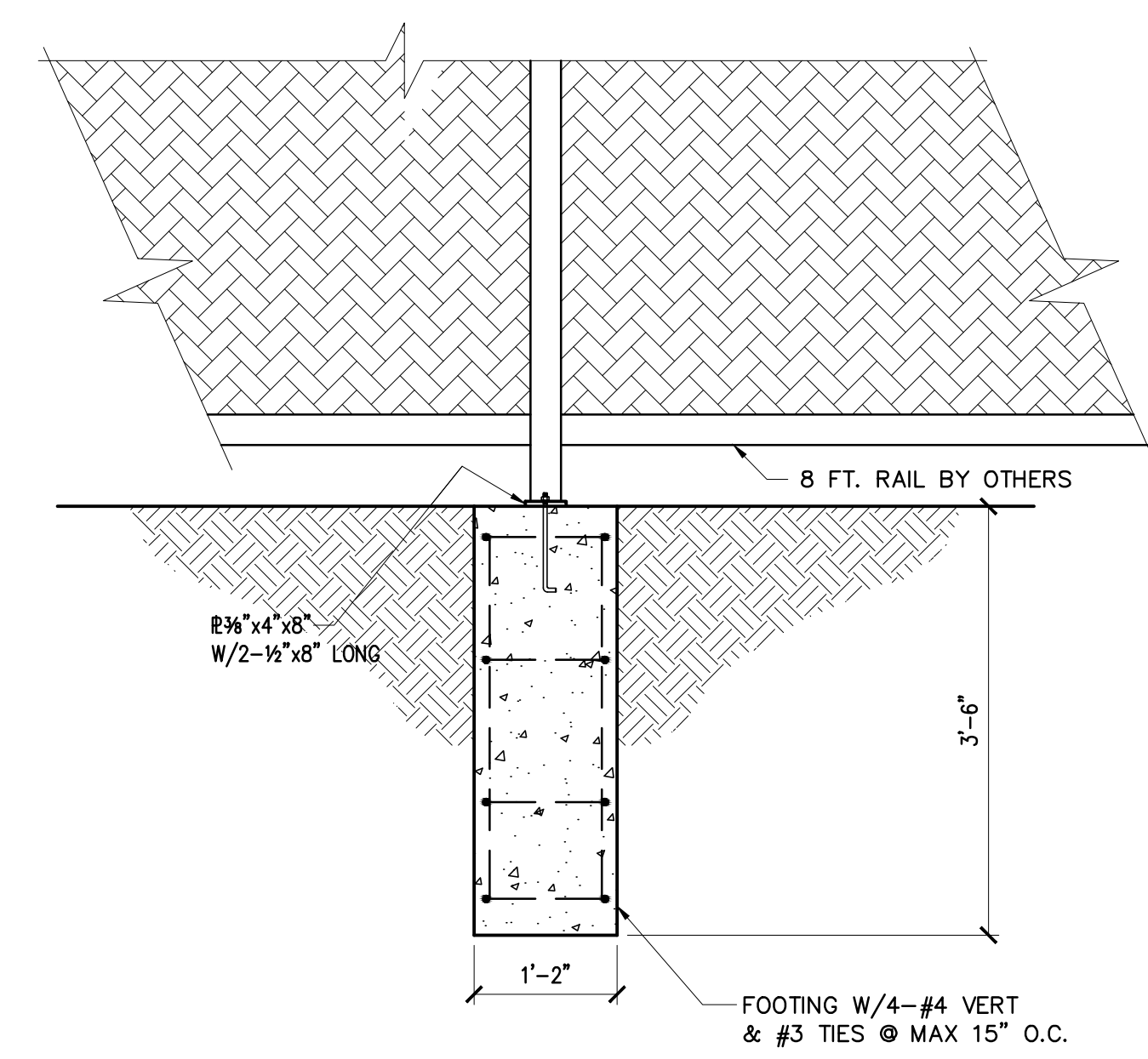
2 TRASH ENCLOSURE PLAN
SCALE: 3/8" = 1'-0"



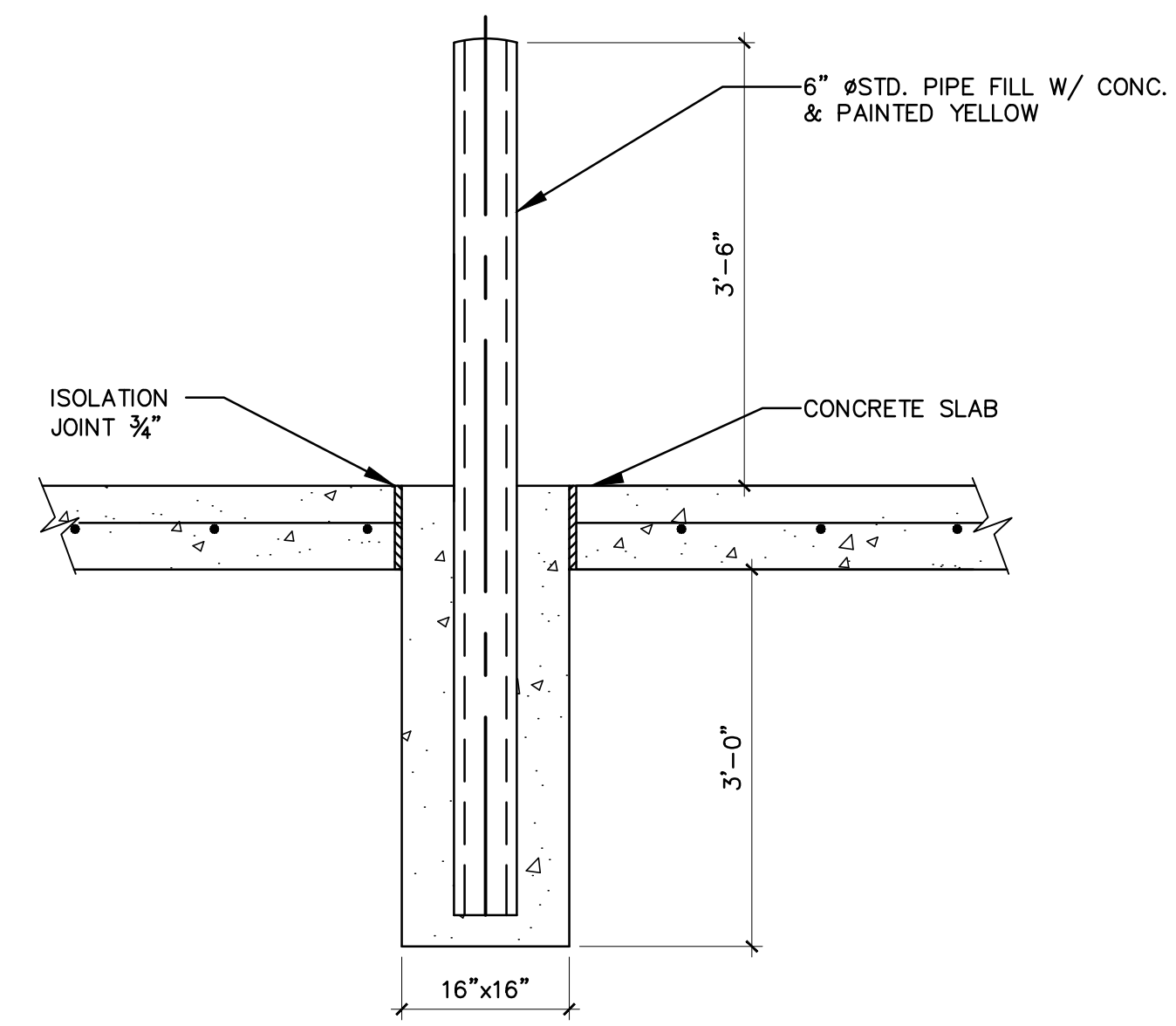
3 TRASH ENCLOSURE WALL/ FOUNDATION
SCALE: 3/4" = 1'-0"



4 SECTION:
SCALE: 3/4" = 1'-0"



6 SECTION: FENCE POST FOUNDATION
SCALE: 3/4" = 1'-0"



5 SECTION: TYP. BOLLARD DETAIL
SCALE: 3/4" = 1'-0"

GARAGE & DUMPSTER FOUNDATION

OPTIMUM PERSONAL CARE PH.2

1110 LAKEVIEW DRIVE
SUGAR LAND, TX. 77478

ISSUE HISTORY

DATE	ISSUED FOR
	CLIENT REVIEW
	PERMIT
	CONSTRUCTION

05/23/18



PE BUILDINGS
BRIDGES
INSPECTIONS
MARINE STRUCTURES
CIVIL ENGINEERING &
STRUCTURAL ENGINEERING

PARAMOUNT ENGINEERING LLC

10145 LONG POINT DR.
HOUSTON, TX 77043
TEL : (713) 636-9977
FAX : (713) 888-9872
CEL : (713) 204-1742

TBPE REGISTRATION # F-3394

DRAWN BY: E.V. CHECKED BY: M.M.

PROJ. NO.: PE12-225

SHEET: **S10**