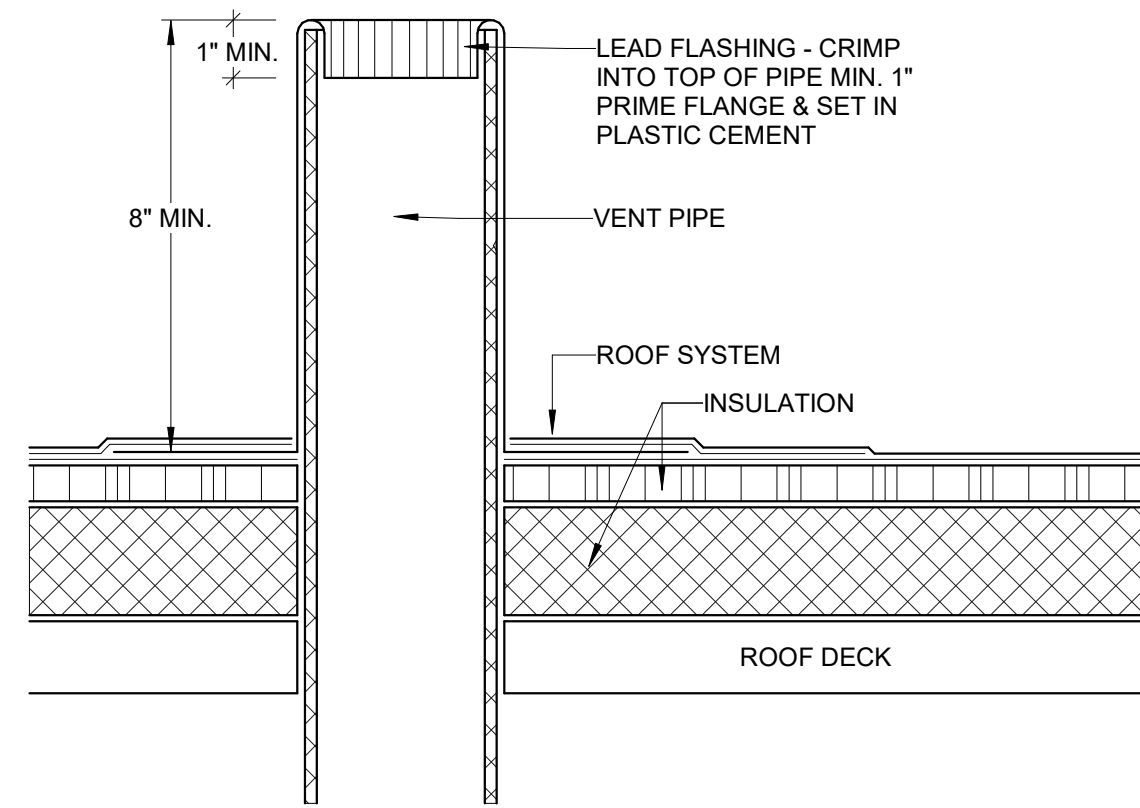
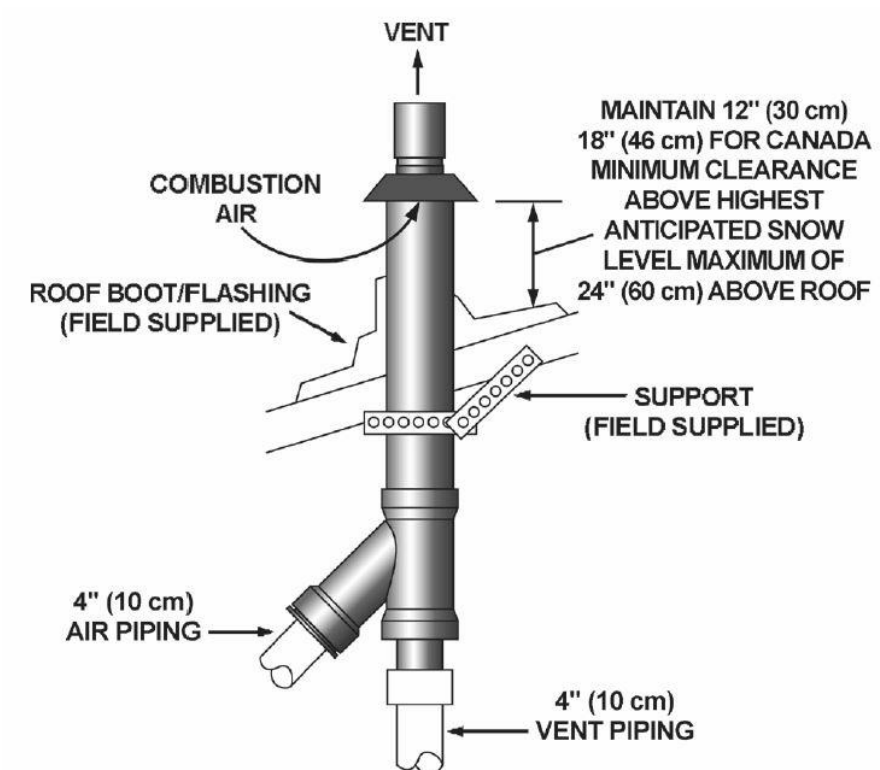


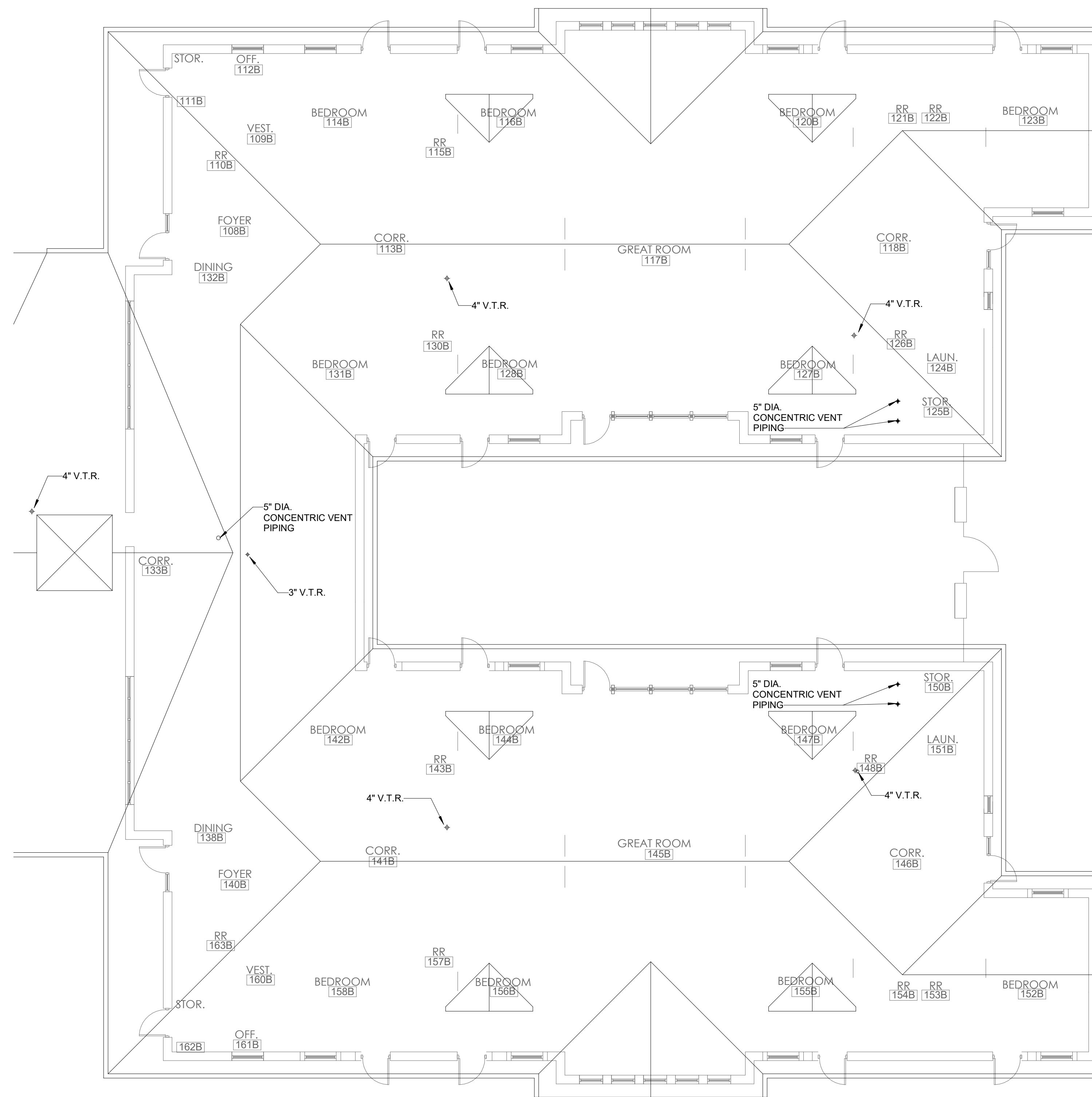
File Name: C:\DMS\Revit_Projects\Optimum Personal Care- Phase 2-PLBG_paul.corley.rvt
 User: paul.corley
 Date/Time: 2/13/2019 1:38:56 PM



2 VENT THRU ROOF
 N.T.S.



3 CONCENTRIC VENT THRU ROOF
 N.T.S.



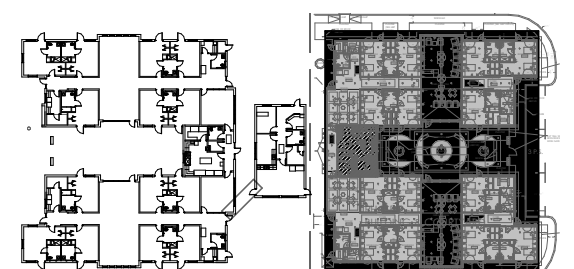
1 PLUMBING ROOF PLAN
 1/8" = 1'-0"



OPTIMUM CARE
SUGAR LAND, TEXAS



Revision Schedule		
#	Date	Description
10-26-18		PERMIT, PRICING, AND CONSTRUCTION
02-14-19		CITY COMMENTS



Project No.

PLUMBING ROOF PLAN

Sheet No.

P1.04

02-18-19

KCI
 TECHNOLOGIES
 ENGINEERS
 PLANNERS
 SCIENTISTS
 CONSTRUCTION MANAGERS
 801 TRAVIS, SUITE 2000
 HOUSTON, TX 77002
 PHONE: 713-237-9800
 FAX: 713-237-9801
 Texas Registered Engineering Firm F-10573